

EXPEDITION

XP25i BATTERY POWERED PORTABLE
PA SYSTEM



Owner's Manual

SAMSON

Introduction

Thank you for purchasing the Samson Expedition XP25i all-in-one battery powered portable PA system. The XP25i is a lightweight, compact, personal sound system ideal for use in a variety of mobile presentation, tour guide and school activity applications. The XP25i provides exceptionally clear sound; offering 25 watts of power to a 5-inch full-range loudspeaker. Unique to the XP25i is an integrated iPod dock for playback of pre-recorded speech, alerts, or music. The XP25i also features an expanded mixer section with a microphone input, line input, line output, as well as independent volume controls for iPod, and microphone. The XP25i system includes a push-to-talk microphone with 3' cable, shoulder strap, battery charger and microphone stand adapter.

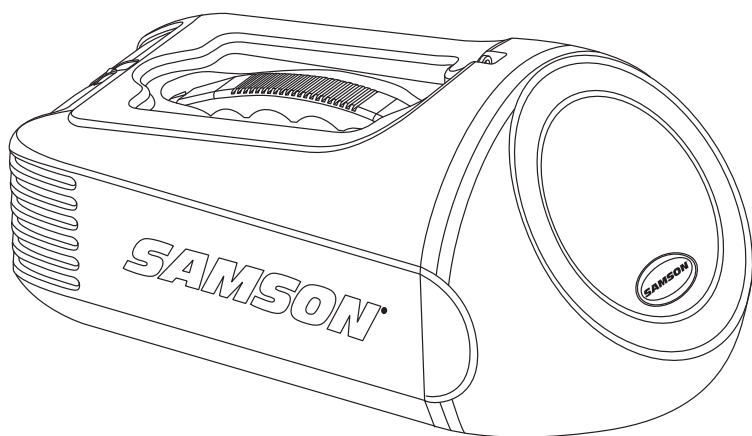
In these pages, you'll find a detailed description of the features of the XP25i portable PA, as well as a guide to its control panel, instructions for setup and use, and full specifications. You'll also find a warranty card enclosed. Please don't forget to fill it out and mail it in so that you can receive online technical support, and so that we can send you updated information about this and other Samson products in the future. Also, be sure to check out our website (www.samsontech.com) for information about our full product line.

With proper care, your XP25i will operate trouble-free for many years. We recommend you record your serial number in the space provided below for future reference.

Serial number: _____

Date of purchase: _____

Should your unit ever require servicing, a Return Authorization number (RA) must be obtained before shipping your unit to Samson. Without this number, the unit will not be accepted. Please call Samson at 1-800-3SAMSON (1-800-372-6766) for a Return Authorization number prior to shipping your unit. Please retain the original packing materials and if possible, return the unit in the original carton and packing materials. If you purchased your Samson product outside the United States, please contact your local distributor for warranty information and service.



Here is a look at some of the unique features of the XP25i battery powered portable PA system:

- Compact, lightweight, ergonomic design for easy transport with carry handle and shoulder strap.
- Built-in rechargeable battery with 8 hours of continuous use per charge.
- Battery recharges in only four hours.
- 5" full-range high efficiency loudspeaker.
- 25-watts onboard power.
- Integrated iPod dock with volume control.
- Samson PT40M push-to-talk microphone with 3' coil cable included.
- Line input and output allows use with other audio devices.
- Power and battery charge indicator LEDs.
- Rugged construction for use while carrying, placed on a table, or mounted using the built-in microphone stand mount.
- Battery charger included.

Gel-Cell Batteries

The XP25i is a battery powered portable sound system that comes with a rechargeable gel-cell battery installed.

Before using your XP25i for the first time, you must charge the rechargeable battery for at least four hours. To charge, connect the included AC/DC adaptor to the XP25i. The Battery LED will flash while the unit is charging. When the XP25i is fully charged the Battery LED will light steady green.

With proper use and care, the battery in your XP25i should last for many years. Follow these instructions for getting the longest life from the internal battery:

- Charge the XP25i completely after each use.
- The battery must not be exposed to extreme heat.
- Avoid completely draining the battery.
- Always store your XP25i in a full-charge condition.
- For long-term storage, you should apply a topping charge to the XP25i every six months

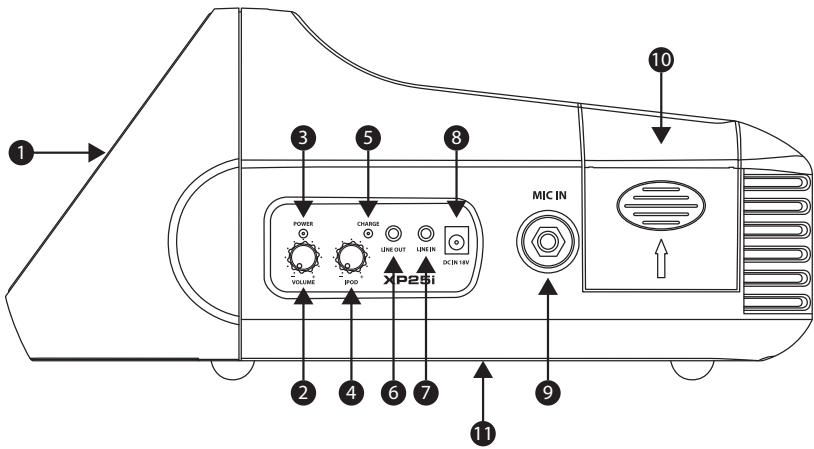
Note: Extended storage below the critical voltage may result in the battery failing to hold a charge, in which case the battery will need to be replaced. Battery life may vary based on temperature, age, and product usage.

Gel-cell rechargeable batteries must not be disposed of with household waste. To discard your rechargeable battery, bring to an appropriate public collecting site, or battery retail location. To guard against possible short-circuiting, rechargeable batteries should be completely discharged before being disposed of, and its terminals should be covered with non-conductive adhesive tape (for example, black electrical tape).

Note: If you have any questions regarding discharging the battery, contact a technician or your local collection center.

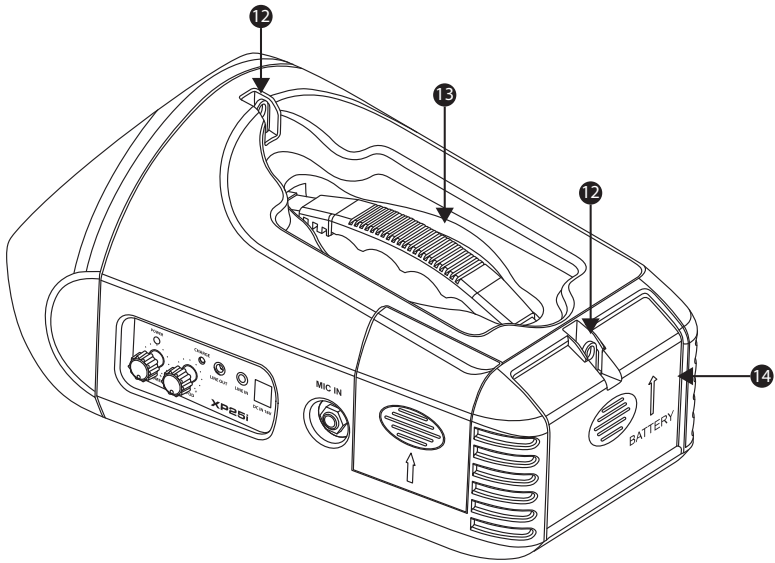
Caution: Under no circumstances should your battery be incinerated as this can cause explosion.

XP25i Controls and Layout

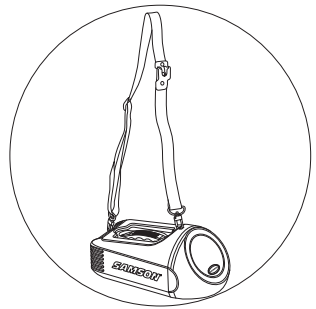


- 1. Loudspeaker** - 5" full-range high efficiency paper cone transducer.
- 2. Volume/Power Control** - This rotary knob controls the level of the microphone input and powers the unit on and off. Turn the control clockwise to turn the system on. Turn the knob counter-clockwise until it clicks to turn the system off.
- 3. Power Indicator** - RED LED illuminates indicating the unit is powered on, ready for operation.
- 4. iPod Level** - This rotary knob controls the level of the iPod to the loudspeaker.
- 5. Charge Indicator** - The Charge Indicator flashes GREEN while the rechargeable battery is charging, and will light steady GREEN when the battery is fully charged. The Charge Indicator will flash RED when the battery is low and the unit is power on.
- 6. Line Out Jack** - 1/8" (3.5mm) auxiliary Line Output. The Microphone, iPod and Line In signals are present at this output.
- 7. Line In Jack** - 1/8" (3.5mm) auxiliary Line Input for connecting an external sound source (CD player, MP3 player, or audio line output from another device).
- 8. DC Power Input** - Connect the supplied AC/DC adaptor to recharge the battery or to supply power to the unit.
- 9. Microphone Input** - 1/4" (6.3mm) Mic level Input jack. Plug the supplied Samson PT40M or another high-impedance microphone into this input.
- 10. iPod Compartment** - The XP25i has a built-in iPod dock which can be used to connect most of the latest iPod models. The iPod signal is controlled by the iPod Level control (#4).
- 11. Microphone Stand Adaptor** - 5/8" female thread adaptor for mounting the XP25i onto a microphone stand.

XP25i Controls and Layout



12. Shoulder Strap Connection - Connect the included Shoulder Strap to these two connection points. The shoulder strap includes a microphone clip for the Samson PT40M microphone.



13. Carry Handle - Ergonomically designed Carry Handle allows for easy transport.

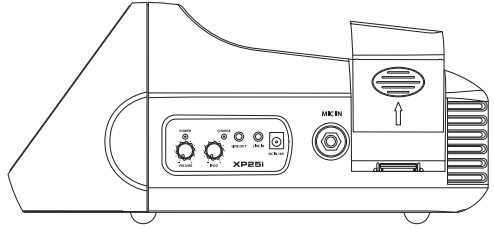
14. Battery Compartment - The XP25i comes with a rechargeable battery installed. If you ever need to replace the battery, open the compartment cover, and remove the battery protection plate. Gently slide the old battery from the compartment and disconnect the RED and BLACK battery leads. Connect the battery leads to the new battery. Connect the RED cable to the positive (+) terminal, and the BLACK cable to the negative (-) terminal. Slide the battery into the compartment, replace the protection plate and slide the compartment cover closed.

Note: If you have any questions about replacing the battery contact Samson or your local distributor.

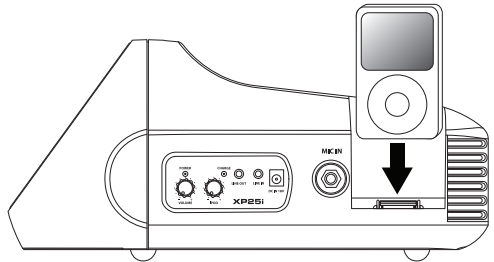
Connecting an iPod

Follow these simple steps for using an iPod with your XP25i portable PA system.

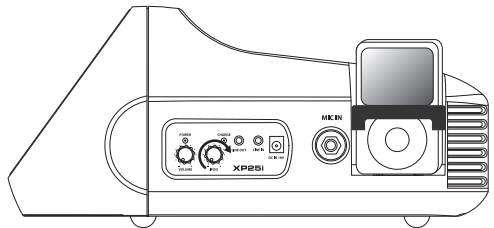
1. Slide the iPod compartment door up to remove.



2. Install your iPod into the XP25i by sliding the iPod onto the connector. Be sure the iPod is seated properly and that it has made a solid connection in the dock.



3. Align the iPod protective bracket with the grooves on either side of the compartment and slide into place.
4. With the iPod playing, rotate the iPod Level control clockwise until you reach the desired volume level.



ENGLISH

FRANÇAIS

DEUTSCHE

ESPAÑOL

ITALIANO

XP25i Specifications

System

Loudspeaker	5" neodymium magnet loudspeaker
Frequency Response	60Hz - 15kHz \pm 3dB
T.H.D.	Less than 1%
Amplifier Power	25 Watts
Signal Inputs	1/4" Mic jack, 1/8" Line In jack, iPod dock
Signal Outputs	1/8" (3.5mm) Line Out jack
MIC Input	1/4" TRS jack, unbalanced
Mic Input Impedance	3.3 k Ω
Mic Input Max. Level	-10 dBu (low gain)
Mic Input Max. Level	-34 dBu (max. gain)
Line Input Max. Level	-10 dBu (no gain control)
Rechargeable Battery	12 V DC / 2.6 AH
Charging Time	4 hours
Operating Time.	Up to 8 hours
External Power Supply	AC 100~240V /DC 18V

Microphone

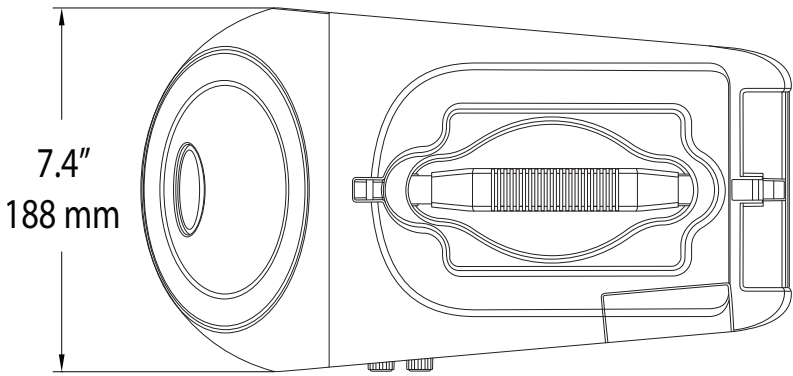
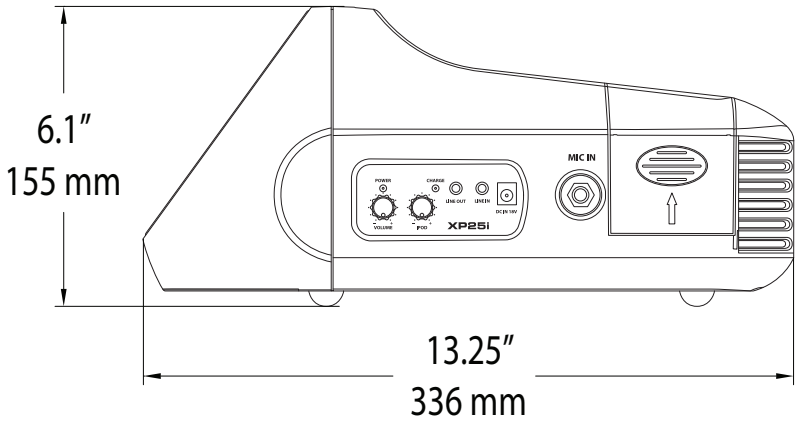
Type.	Samson PT40M, push-to-talk dynamic
Polar Pattern	Cardioid (Unidirectional)
Cable Length	3' coil cable

Enclosure

Construction	Polypropylene internally ribbed
Grill	Black textured vinyl covering
Mounting	Integral microphone stand receptacle
Dimensions	13.25" L x 7.4" W x 6.1" H 336mm L x 188mm W x 155mm H
Weight	5.5 lbs / 2.5 kg

Specifications and appearance are subject to change without notice.

XP25i Dimensions



ENGLISH

FRANÇAIS

DEUTSCHE

ESPAÑOL

ITALIANO